

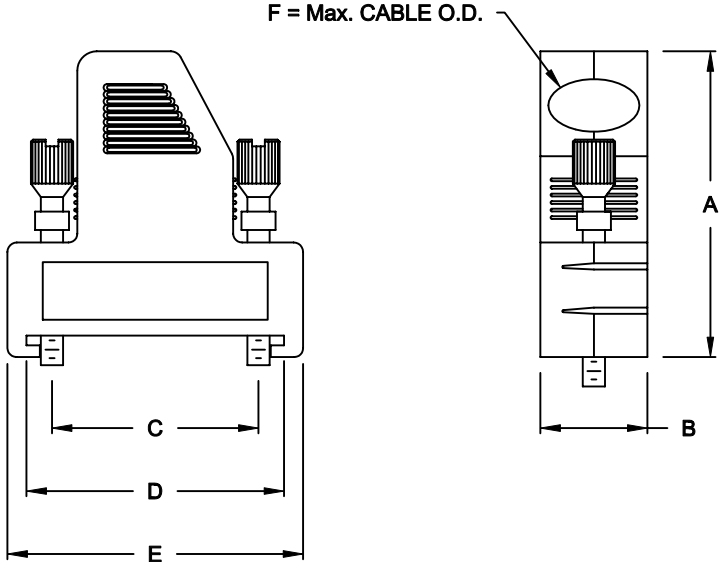
DESCRIPTION: 60° ENTRY - BLACK PLASTIC

**SPECIFICATIONS:**

MATERIAL: POLYAMID UL-RECOGNIZED

**BACKSHELL KIT INCLUDES:**

- (2) BACKSHELL HALVES
- (1) STRAIN RELIEF CLAMP
- (2) STRAIN RELIEF SCREWS
- (2) THUMBSCREWS



**951-YYY-010R011**

SERIES \_\_\_\_\_  
 POSITIONS \_\_\_\_\_  
 009 \_\_\_\_\_  
 015 \_\_\_\_\_  
 025 \_\_\_\_\_  
 037 \_\_\_\_\_  
 MATERIAL \_\_\_\_\_  
 010 = PLASTIC \_\_\_\_\_  
 RoHS COMPLIANT \_\_\_\_\_  
 R = HIGH TEMP. PROCESS \_\_\_\_\_  
 COLOR \_\_\_\_\_  
 01 = BLACK \_\_\_\_\_  
 PUT-UP \_\_\_\_\_  
 1 = KIT \_\_\_\_\_

**DIMENSIONS (IN.)**

No. OF PINS	A	B	C	D	E	F
09	1.457	0.496	0.984	1.228	1.409	0.315
15	1.496	0.496	1.311	1.555	1.736	0.315
25	1.614	0.496	1.854	2.098	2.280	0.354
37	1.614	0.496	2.500	2.744	2.925	0.354

**DO NOT SCALE FROM DRAWING**



THESE DRAWINGS AND SPECIFICATIONS ARE THE PROPERTY OF NorComp AND SHALL NOT BE REPRODUCED, COPIED OR USED AS THE BASIS FOR THE MANUFACTURE OF SALE OF APPARATUS WITHOUT WRITTEN PERMISSION.

DRAWN: <b>C. SMITH</b>	DATE: <b>03-26-07</b>
CHECKED:	DATE:

**NorComp**

SCALE: <b>1 : 1</b>	SHEET <b>1</b>	OF <b>1</b>	REV <b>0</b>
DWG NO. <b>951-YYY-010R011</b>			

**RoHS COMPLIANT**